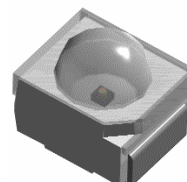


## PLCC-2 Dome Package SMT LED

### VR C778.46

#### Description

The constructive of this series of LEDs are different from the PCB type SMT LED. The lead-frame is of metal, reflector is made of thermoplastic and construct into this unique type of SMT LED. The Wavelengths and Luminous Intensities of this series are grouped under 20mA for uniformity.




#### Applications

- Dashboards and switch
- Backlight keypads
- Industrial control systems signal indicator
- Automotive features
- Telephone and fax backlighting or indicator



#### Electronic Optical Characteristics (at 20mA)

Part Number	Emitted Color	nm		Lens Color	mcd		Viewing Angle	VF	
		$\lambda_d$	$\lambda_p$		Min.	Typ.		Typ.	Max.
VR C778.46	Red 	624	632	Clear	1120	1700	60	2.0	2.4

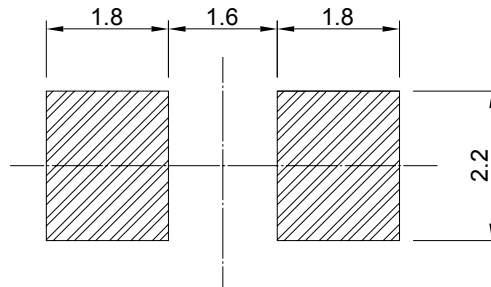
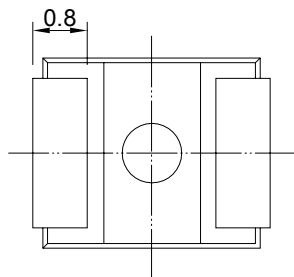
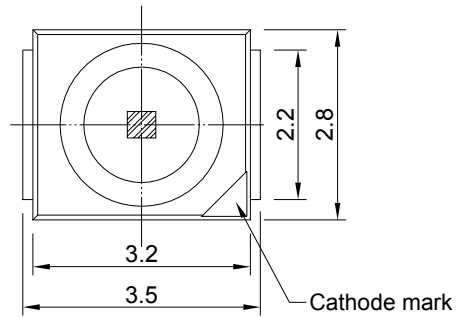
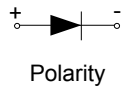
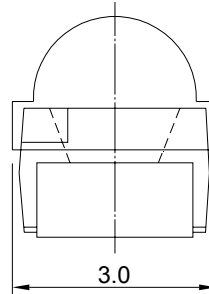
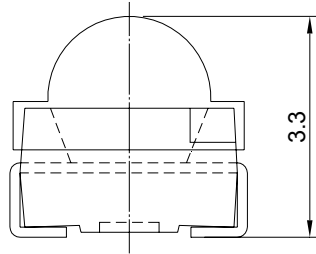
#### Absolute Maximum Ratings (at Ta=25 °C)

Emitted Color	P <sub>D</sub> (mW)	I <sub>F</sub> (mA)	ESD(V)	I <sub>R</sub> (uA) @VR=5V	Topr (°C)	Tstg (°C)
Red (624nm)	60	25	2000	10	-40~+85	-40~+90

Note: Please take note the Absolute Maximum Rating values. Any operation beyond the specified ratings in this table will result degradation of LED life-span and may cause LED to fail.

**Package Dimension:**

unit : mm

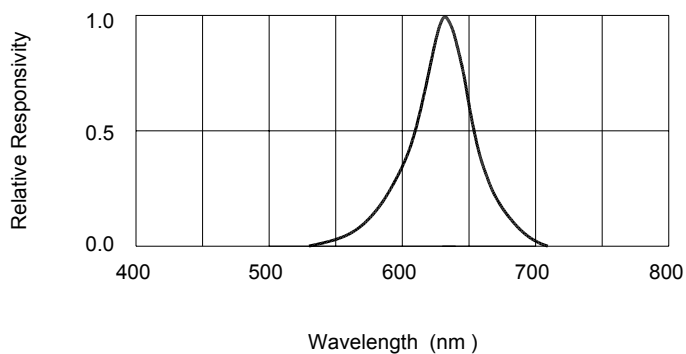
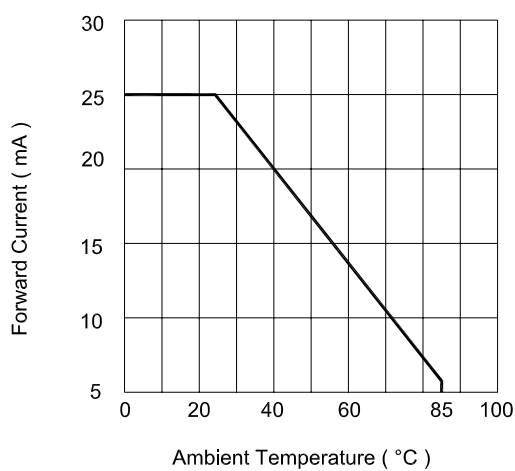
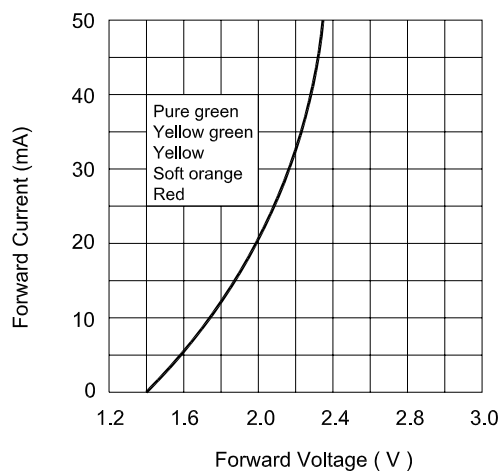
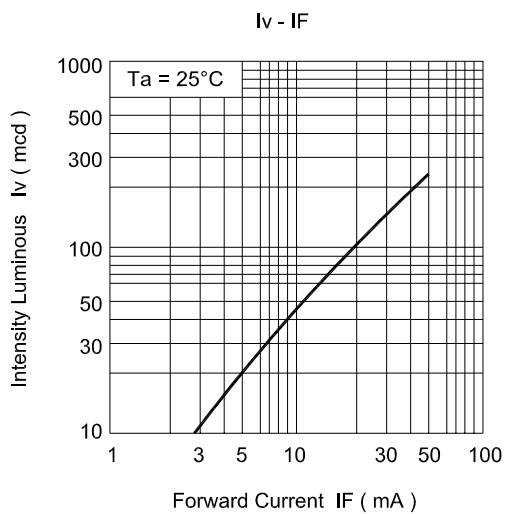
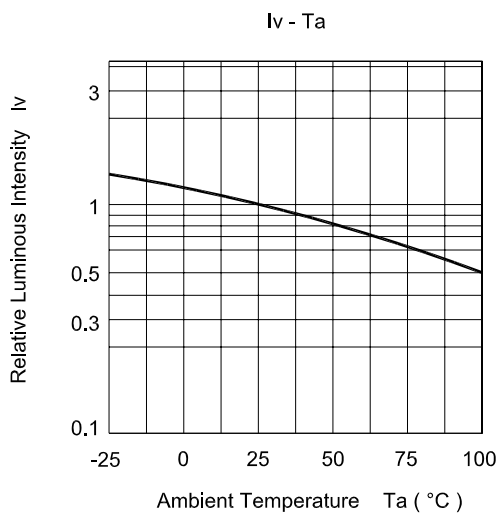


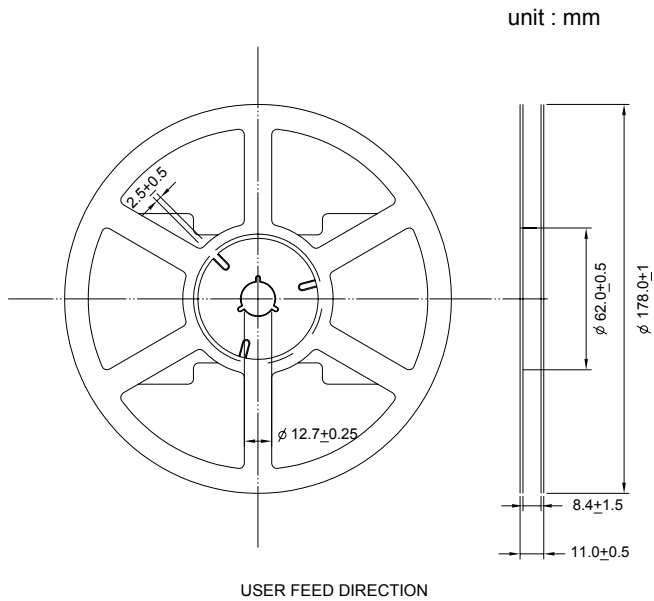
Recommended Soldering Ped

**Notes:**

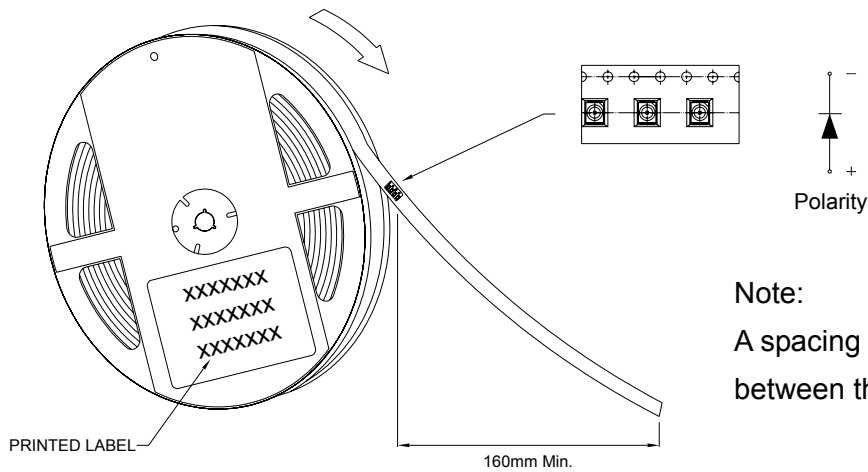
1. All dimensions are millimeters.
2. Tolerance is  $\pm 0.2\text{mm}$  unless otherwise specified.
3. Specifications are subject to change without notice.

### Optical Characteristics Curves

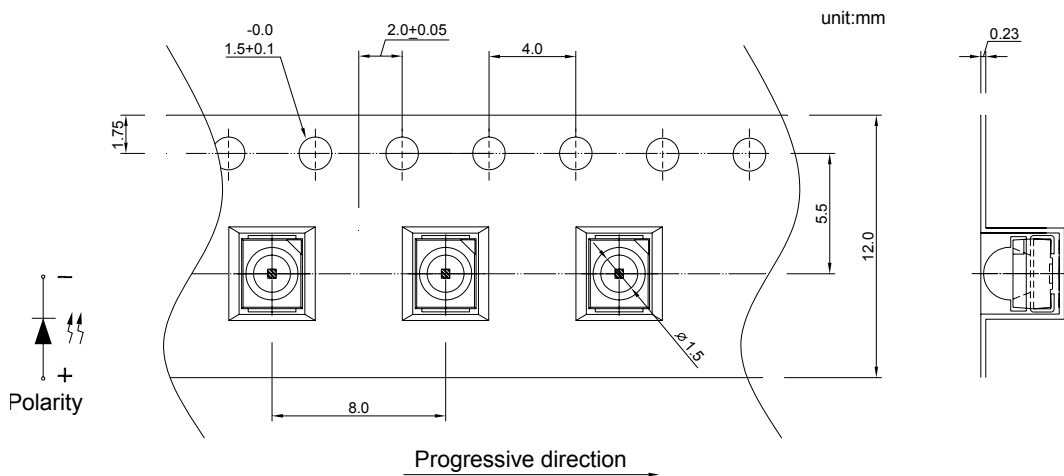


**Reel Dimension:**

**Note:**

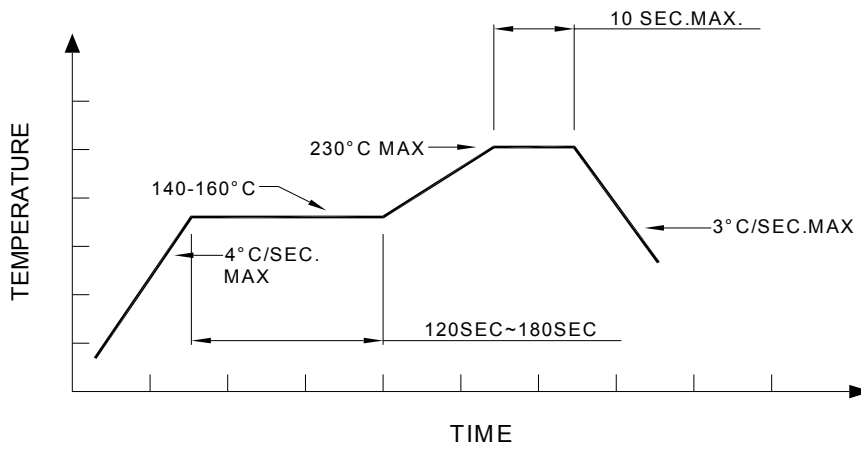
Available in 8mm carrier tape on 178mm diameter reels. (1000 pieces)


**Note:**

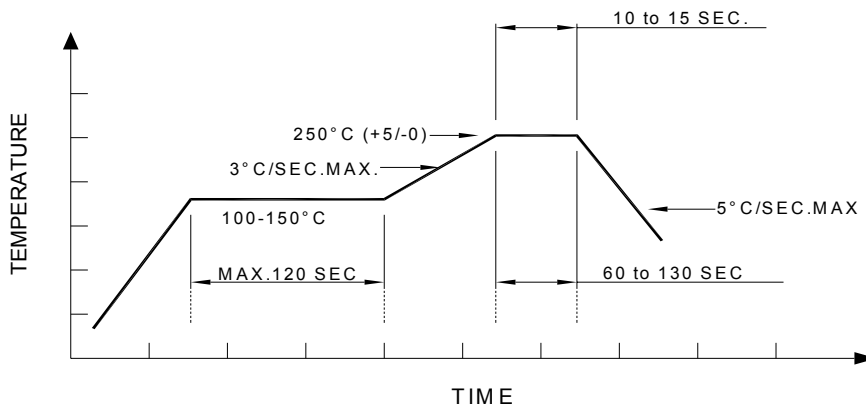
A spacing of approximately 160mm between the front edge of tape

**Tape Dimension:**


**Recommended re-flow soldering profile:**



**Recommended Pb-free re-flow soldering profile:**



**Note:**

All the specifications listed in this data sheet are suitable for general electronic equipment, office equipment and communication devices. Kindly consult Sales Representatives for specific reliabilities request, Forward Voltage, Luminous Intensity, Wavelength, Radiant Power or Viewing Angle.